

## **BASCALC**

*The lean  
clean machine*

*Basca Lean Clean technology main goal is "to do more with less" to obtain the best cleaning results. Thanks to their modularity, Basca machines can be configured to clean multiple containers and can be upgraded to increase their performance and meet clients needs to clean vessels, IBCs or drums with a single machine.*

# **BASCA**

*Cleaning equipment for tanks and containers*



## **BENEFITS**



**3min. Average Cleaning Time**



**80% Less Waste Disposal**



**75% Workforce Reduction**



**Cost Efficient**



**Modular Design**



**Easy to Install**



**Compact Layout**



**Versatile Use**

## TECHNICAL DATA



### • WATER AND ECO-FRIENDLY FLUIDS

Size (IBC cleaning configuration - LxWxH):  
3300x1900x2400mm  
Size (tank cleaning configuration - LxWxH):  
3700x1900x2400mm  
Electric Supply: 3x400V - 50Hz (different on request)  
Power: 5.5KW up to 25KW (based on configuration)  
Electrical insulation: IP55  
Air Supply: 7 Bar  
Cycle Process: programmable via Touch Screen  
Washing Pressure: 6 Bar up to 200 Bar  
Media max temp: 80°C  
Filtering System: N<sup>o</sup>2 Bag filters with s/steel case  
PLC controlled cycle with intuitive HMI  
Complying with 2006/42/EC requested safety devices



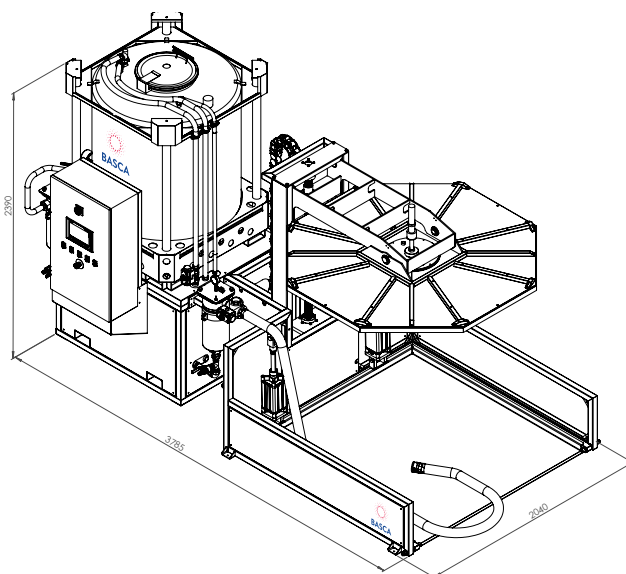
### • SOLVENTS

Size (IBC cleaning configuration - LxWxH):  
3300x1900x2400mm  
Size (tank cleaning configuration - LxWxH):  
3700x1900x2400mm  
Compressed air Supply: 7 Bar  
Cycle Process: Programmable  
Washing Pressure: 6 Bar up to 40 Bar  
Filtering System: N<sup>o</sup>2 Bag filters with s/steel case  
Control panel with pneumatic logic or PLC driven with touch screen HMI  
Complying with CE 2006/42/CE requested safety devices  
EX-proof versions according to ATEX directive 2014/34/UE

## CONTAINERS



## LAYOUT



## ACCESSORIES

- Timed prewash and final rinsing cycles
- Stocking tanks with level controls
- Heating system
- Sanitizing rinse
- High pressure cleaning

- IBC cleaning device
- Drum/buckets cleaning device
- Bottom valve cleaning device
- Bottom tilting platform to help the fluid drain out
- Full stainless-steel version

